

Radiofonica "L" manual with E 61 "Levetta" (lever) brewing groups, has the same features of Radiofonica automatic except for: groups without lever, joystick taps, glass tube for boiler water level and the second multidirectional stainless steel steam wand.

So it is available with two E 61 raised brewing groups with lever, dual gauges for (11,5 litres) boiler and pump pressure, automatic boiler water loading, motor pump with air cooling, boiler of copper with tap for manual discharge, pipes of copper and pipe fittings of brass, frame of satined stainless steel AISI 304 and painted in different standard color options: white, black, rust brown, blue Tiffany, copper.

Optional: white filter holders for 1 and 2 cups, nut wood kit (filter holders, knobs and levers), color and aesthetic customisation.

white



copper



rust brown



black



steel painted blue Tiffany



steel painted blue Tiffany  
nut wood kit



steel painted **black**



steel painted **black**  
nut wood kit



steel painted rust brown



steel painted rust brown  
nut wood kit



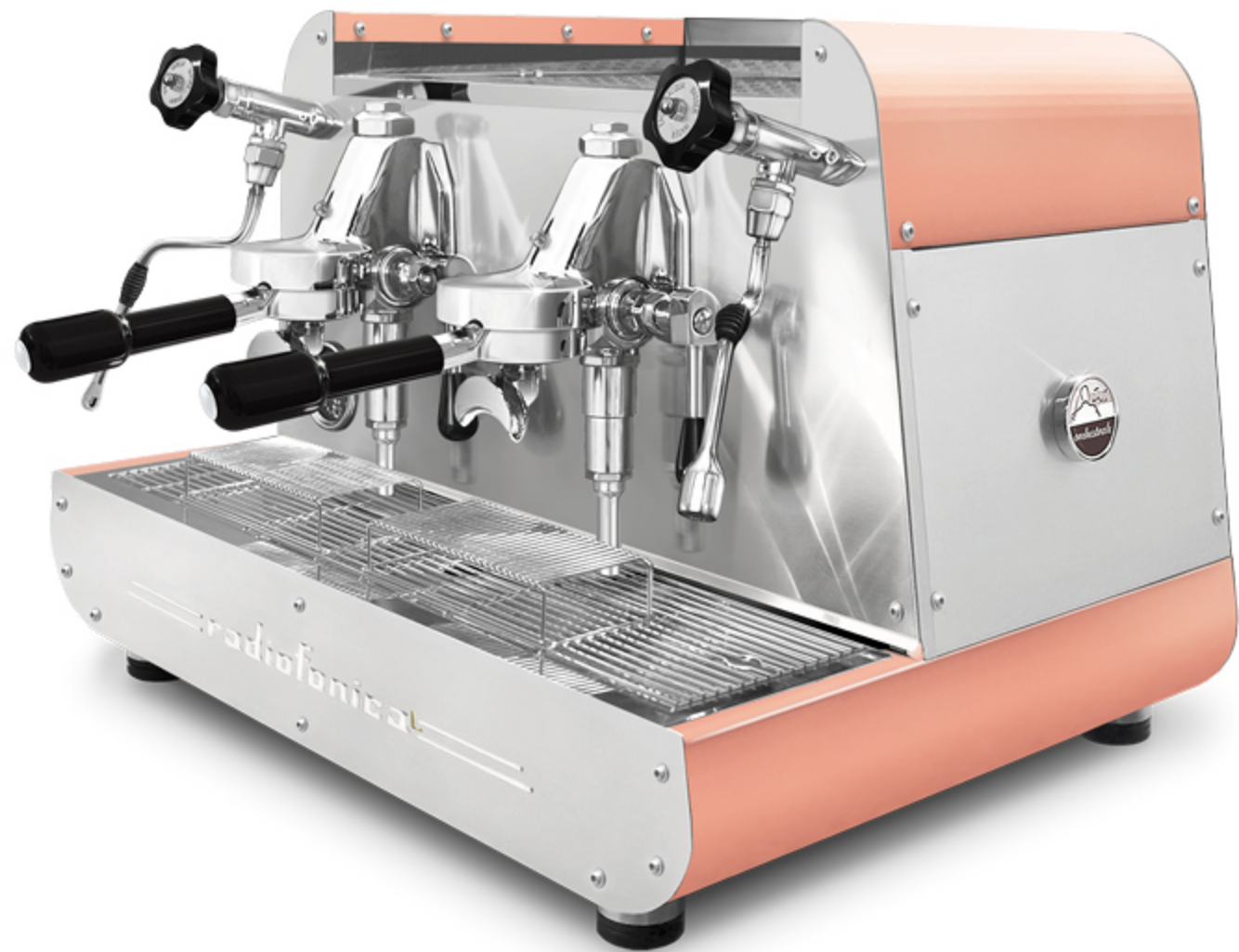
steel painted white



steel painted white  
nut wood kit



steel painted copper



steel painted copper  
nut wood kit



white handles



ALL BLACK

MANUAL

2 gr



Optional:  
nut wood kit  
(knobs and filter holders)



All black

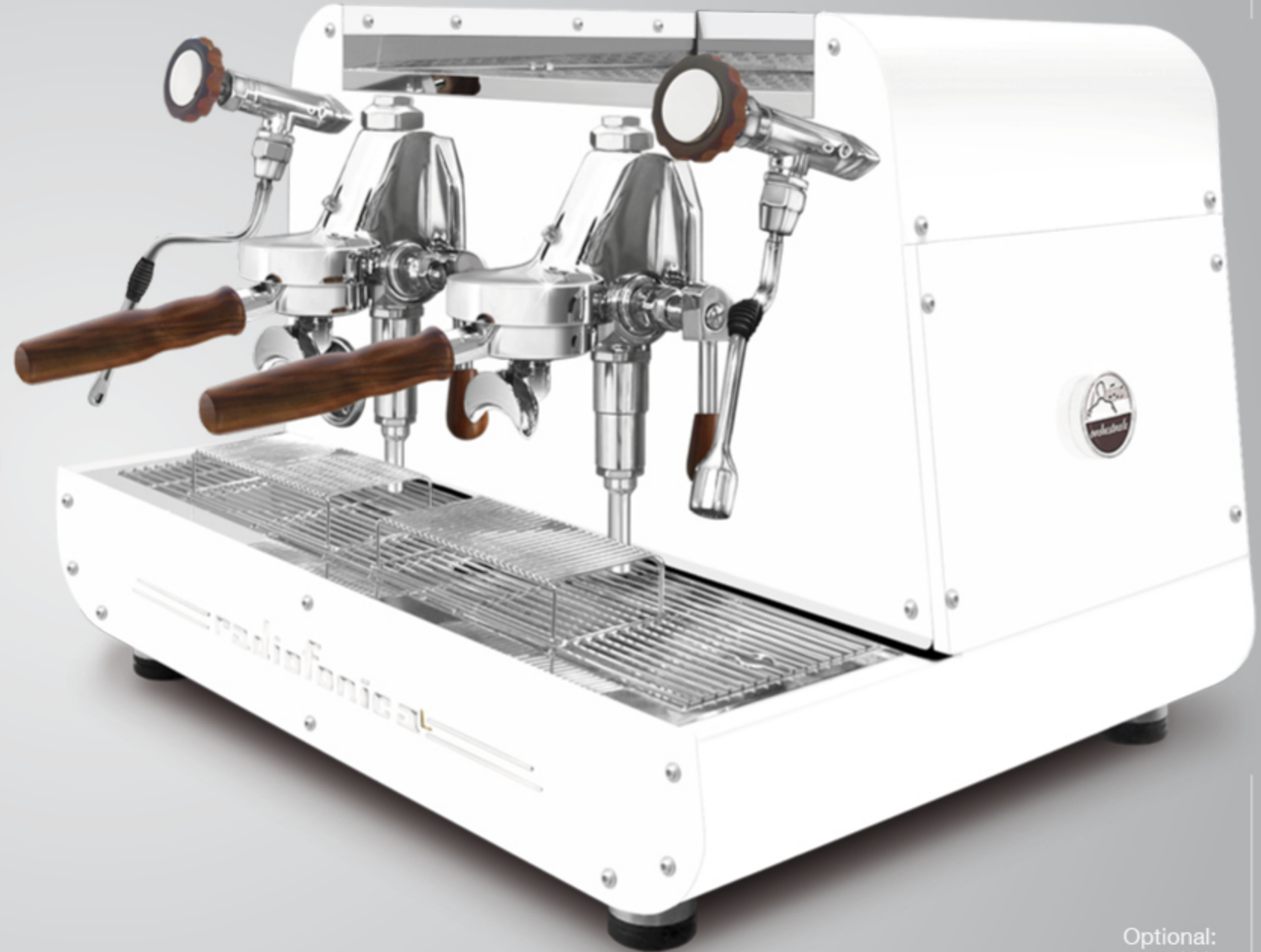
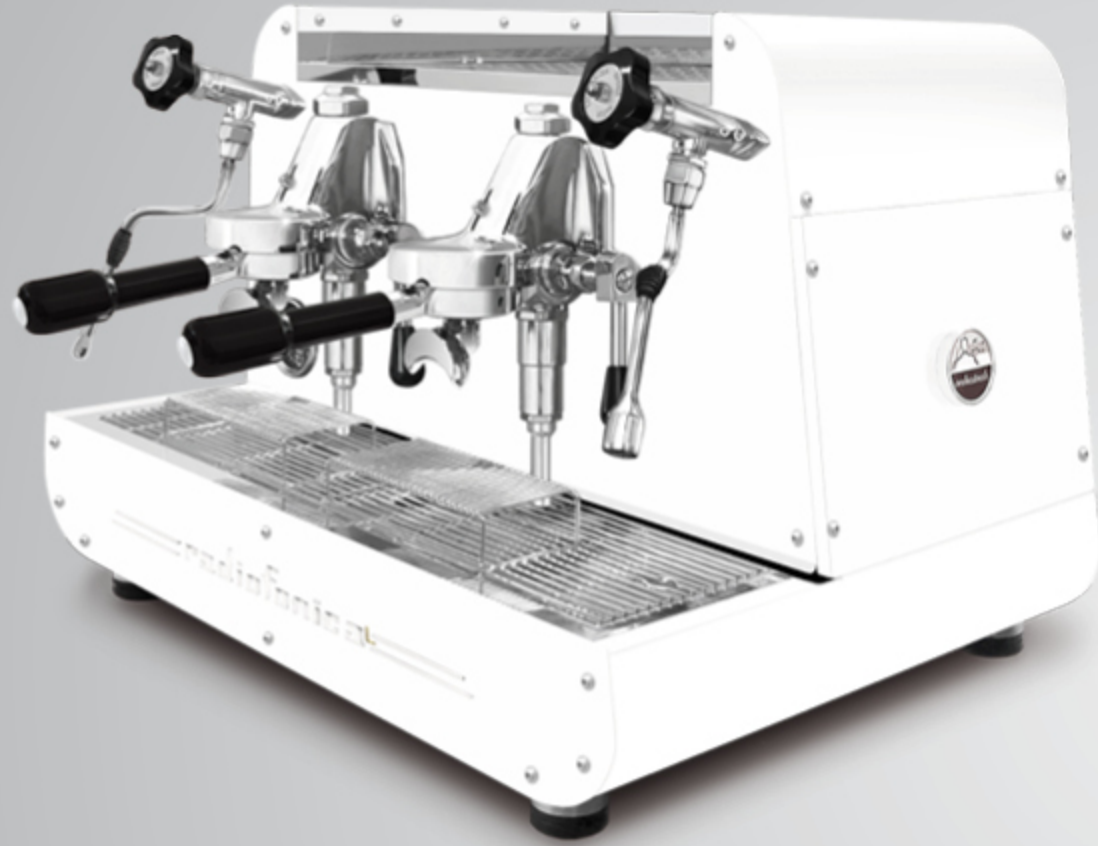


All black  
nut wood kit



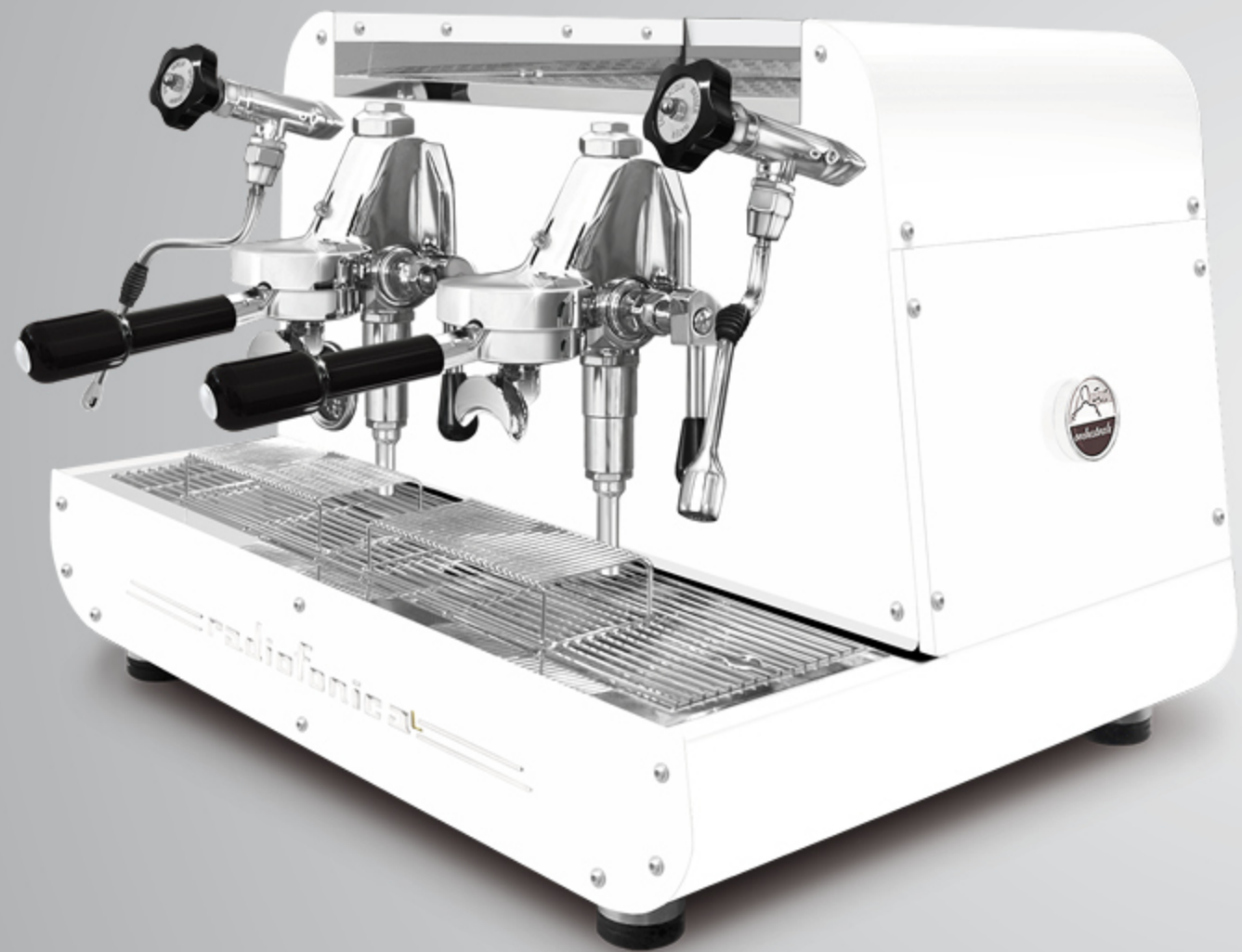
ALL WHITE

MANUAL  
2 gr

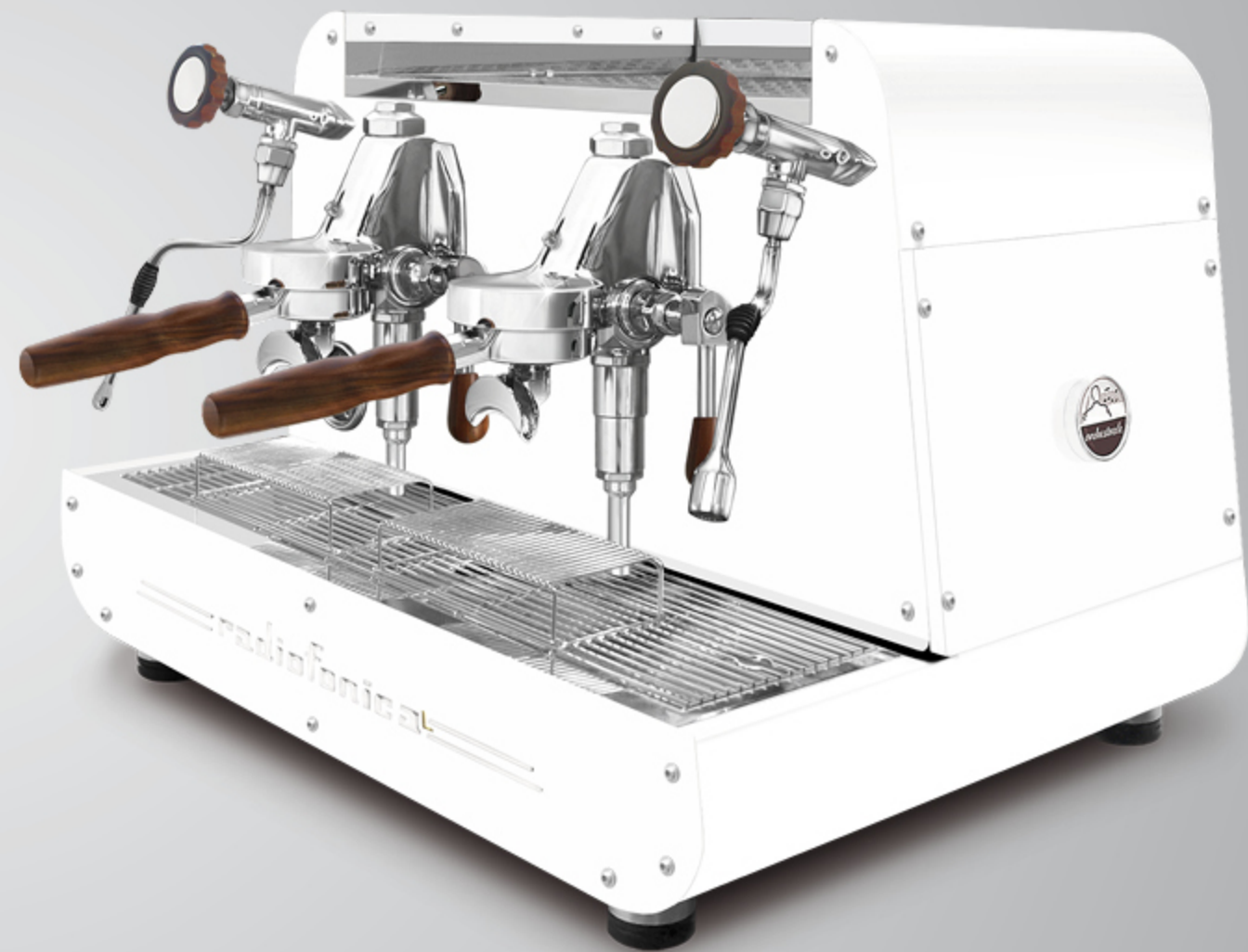


Optional:  
nut wood kit  
(knobs and filter holders)

All white

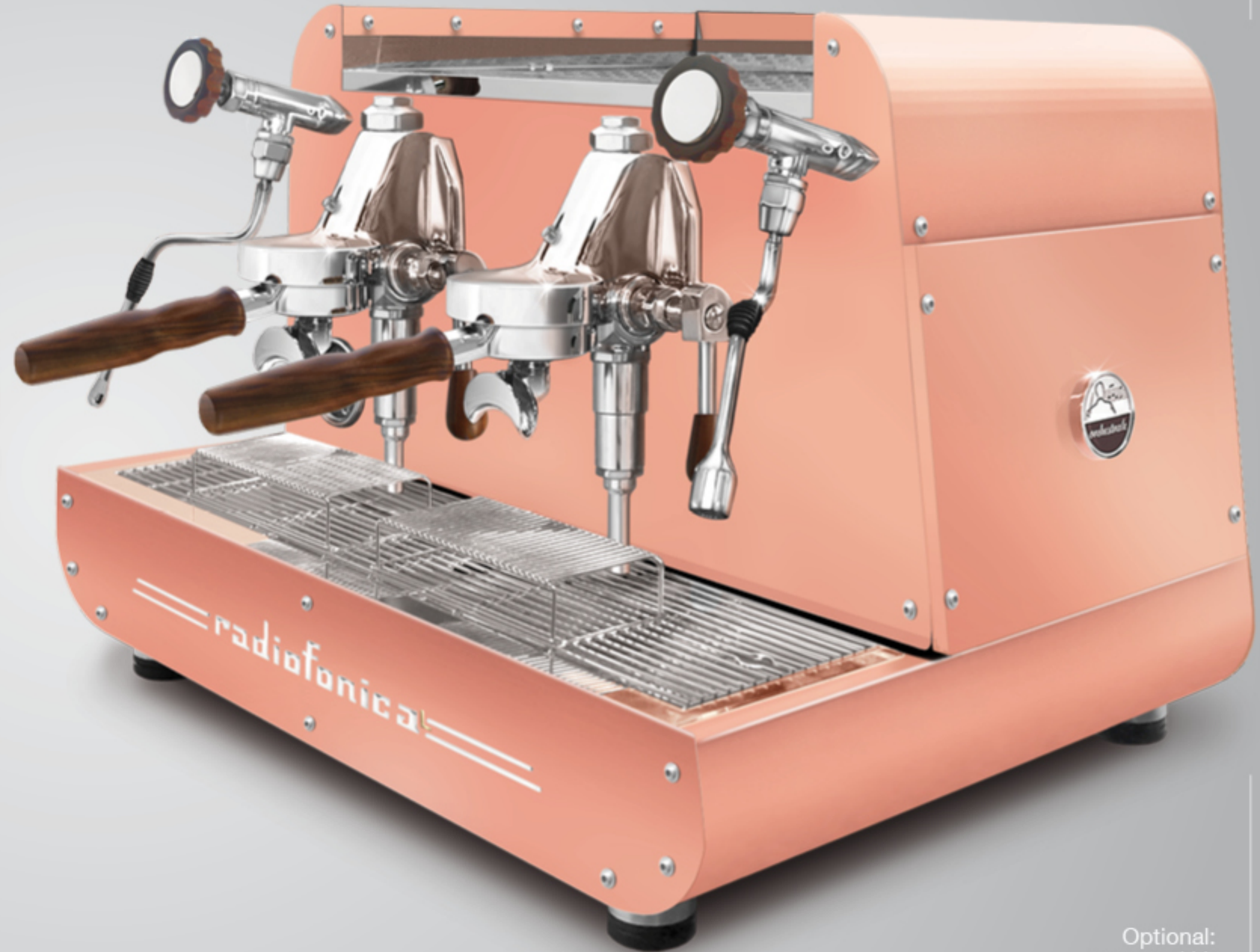
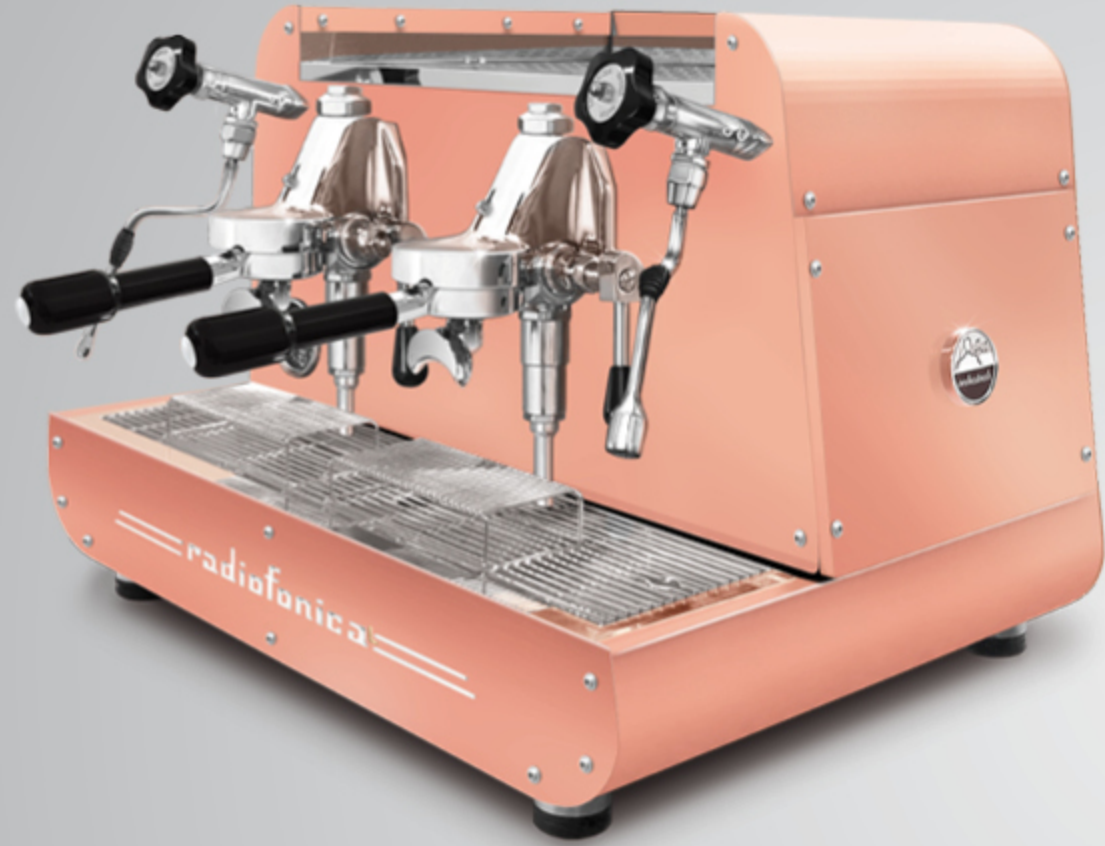


All white  
nut wood kit



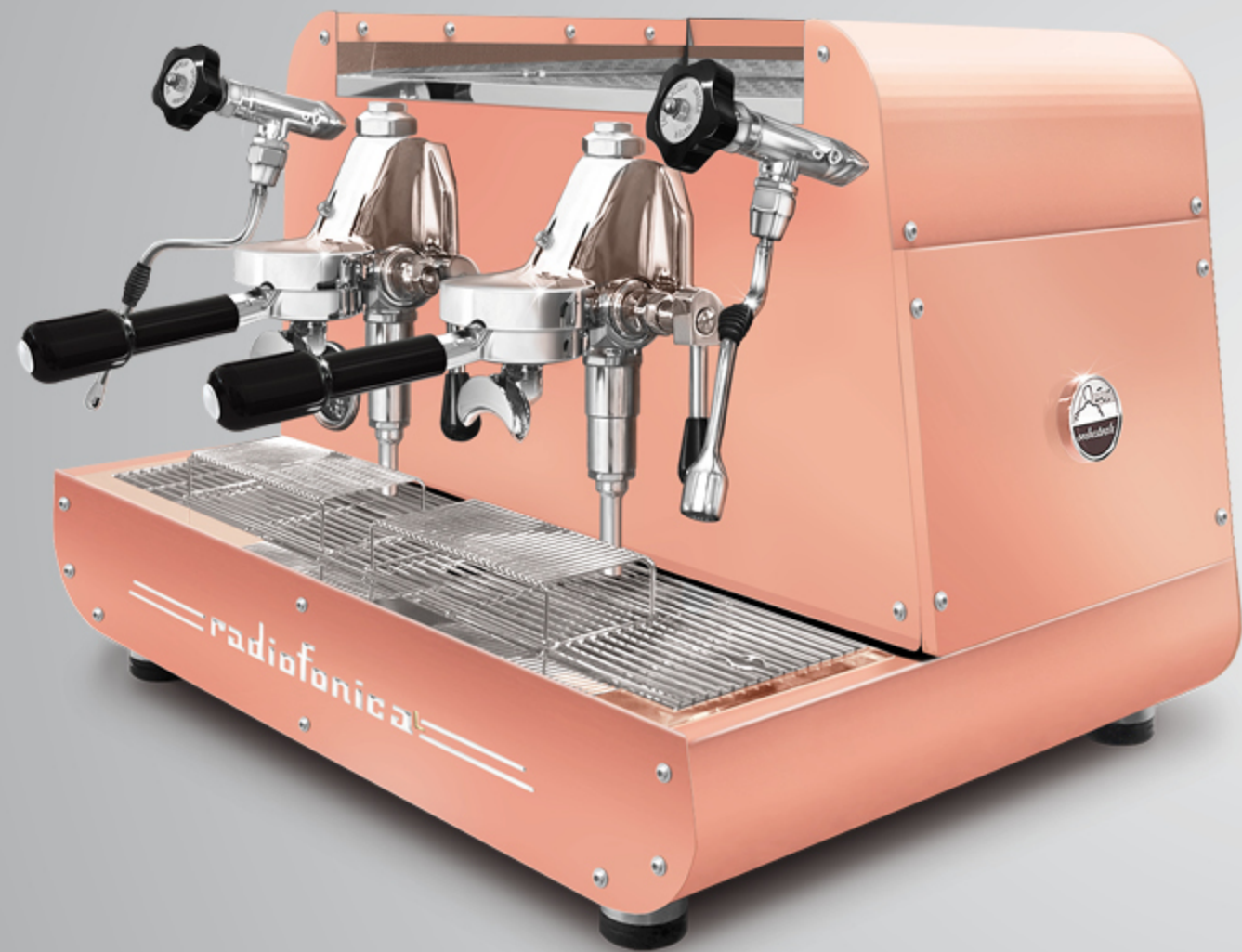
ALL COPPER

MANUAL  
2 gr

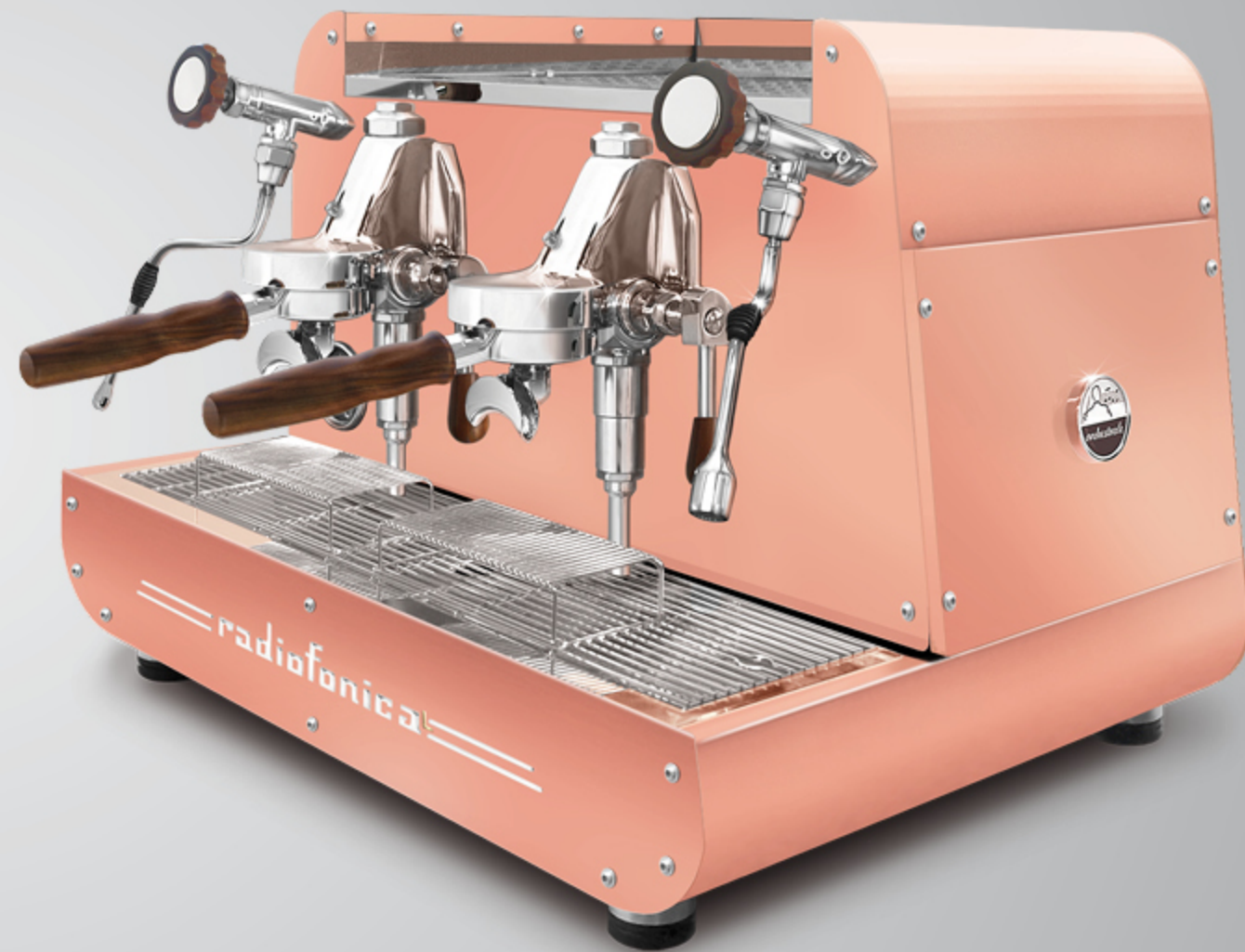


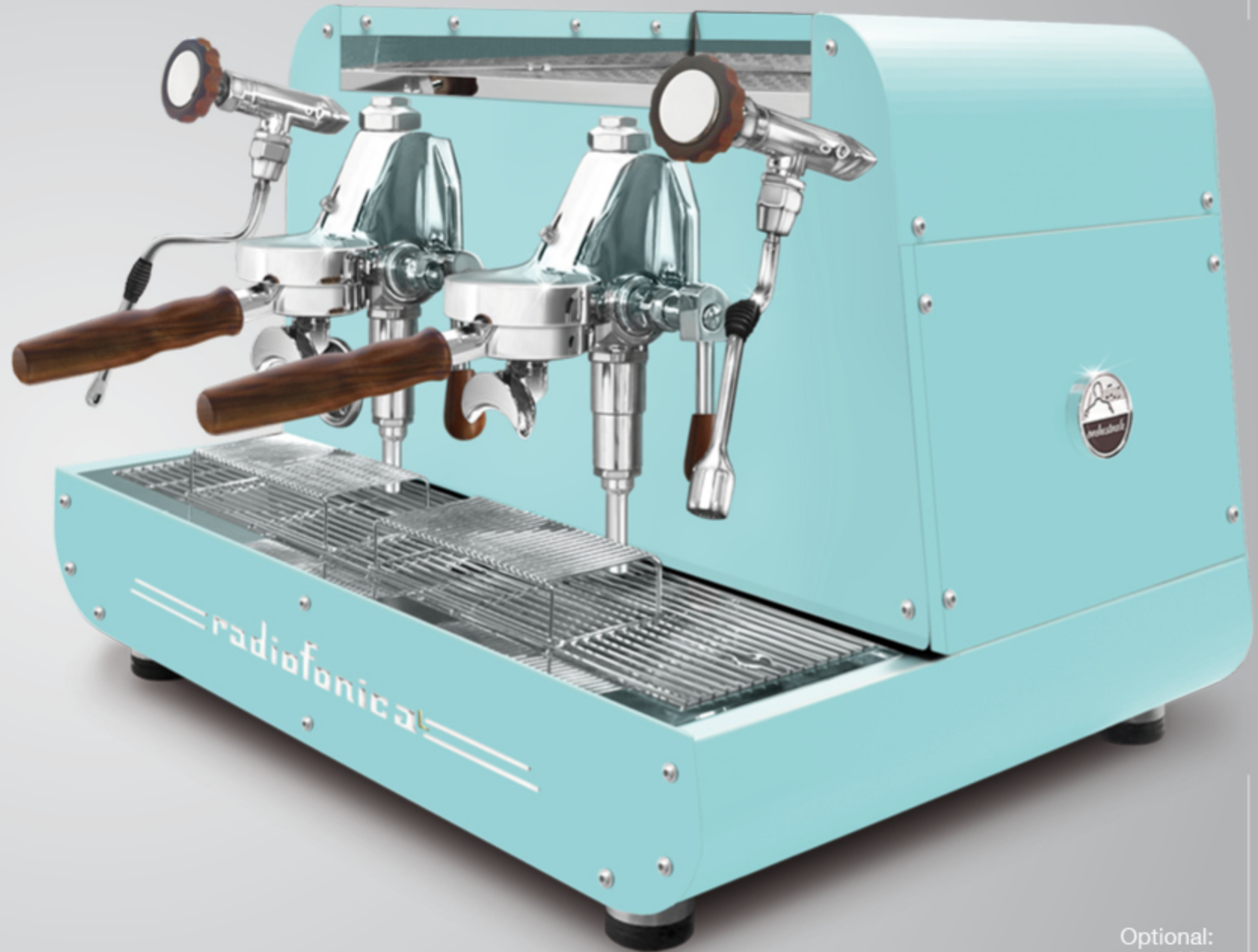
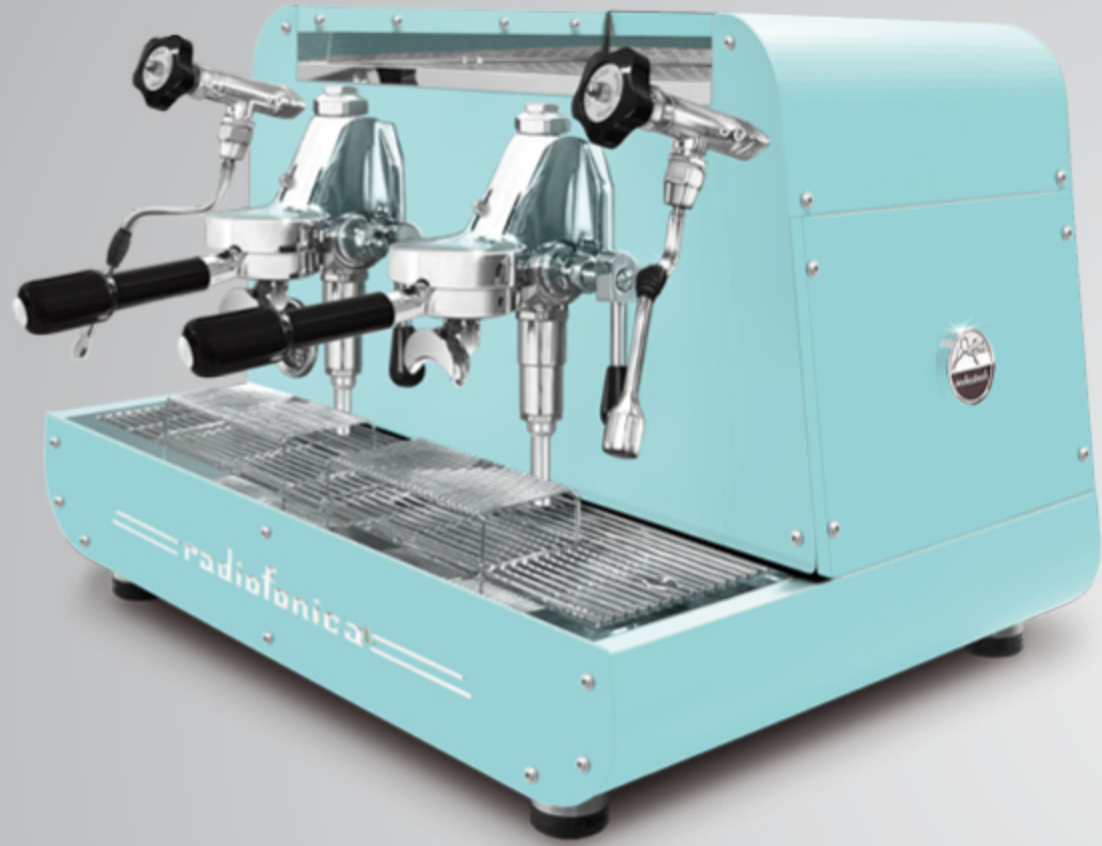
Optional:  
nut wood kit  
(knobs and filter holders)

All copper



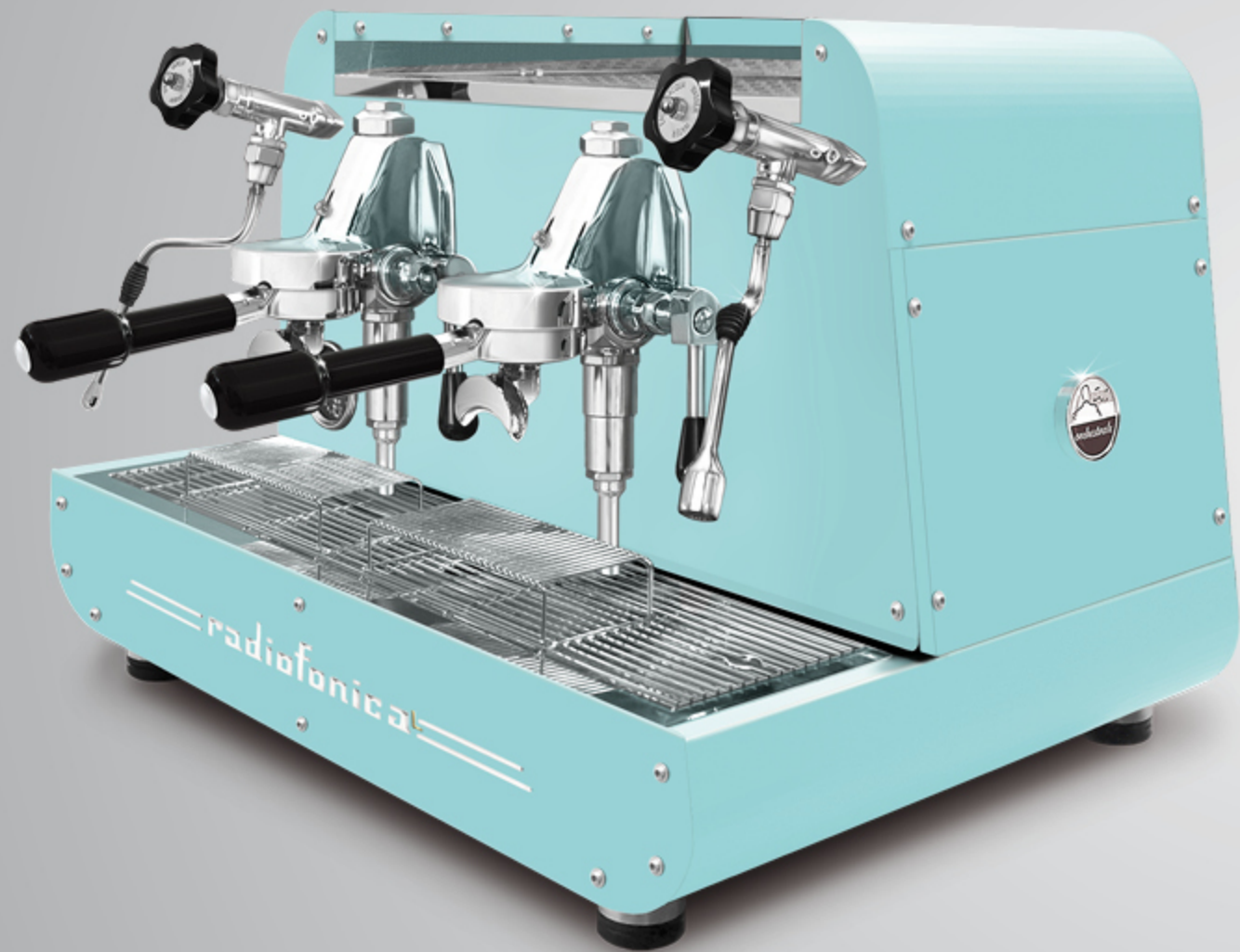
All copper  
nut wood kit





Optional:  
nut wood kit  
(knobs and filter holders)

All blue Tiffany



All blue Tiffany  
nut wood kit



ALL RUST BROWN

MANUAL  
2 gr



Optional:  
nut wood kit  
(knobs and filter holders)



All rust brown



All rust brown  
nut wood kit



TECHNICAL FEATURES	MANUAL
Espresso coffee and cappuccino machine with thermosiphonic system	2gr
<b>E 61 "Levetta" (lever) brewing raised groups</b> (filter holder Ø 58 mm) with manual pre-infusion for the best coffee brewing	•
Frame of satined stainless steel AISI 304	•
Boiler of copper with tap for manual discharge, pipes of copper and pipe fittings of brass	•
Dual gauges for boiler and pump pressure	•
<b>Automatic</b> boiler water loading	•
Built-in RPM motor pump with <b>AIR</b> cooling / Fluid-o-Tech rotary pump	•
LED lights on the back panel	•
1 multidirectional stainless steel steam wand with manual control from the tap knob	•
1 multidirectional stainless steel hot water wand with manual control from the tap knob	•

OPTIONAL ON DEMAND	
White filter holders for 1 and 2 cups	•
Nut wood kit: filter holders, knobs and levers	•
<b>Color options and aesthetic customisation</b>	•

TECHNICAL DATA		2 gr
Voltage/Power	220 - 240 V (1F) / 400 V (3F)	3900 W
Frequency	Hz	50 - 60
Boiler	Lt	11,5
Length	mm	720
Width	mm	505
Height	mm	520
Net weight	Kg	78



2gr Manual with Levetta